

ESP-12M

Ver. 2.0

PROGRAMMABLE TIMER

INSTALLATION MANUAL



Entrex Door Controls Inc.

#40-DRG00134M

Entrex International Ltd.

ESP-12M

Ver. 2.0

Table of Features and Benefits

<i>FEATURES</i>	<i>BENEFITS</i>
<ul style="list-style-type: none">• Attractive Metal Cabinet	12" x 7 1/2" x 4" sturdy cabinet c/w Cam lock and 2 keys, in attractive beige finish.
<ul style="list-style-type: none">• Lighted <i>ON/OFF</i> and <i>DAY/NIGHT</i> Push switches	Cabinet mounted push switches simplify installation and operation. Switches light for easier identification of mode.
<ul style="list-style-type: none">• Self contained	Simplifies wiring. Bring all the Inputs and Outputs to one cabinet. Every device has it's own terminal, putting an end to confusion.
<ul style="list-style-type: none">• Fully adjustable	Four potentiometers allow generous timing ranges for the strike hold time, operator delay on operate and release times, and exterior push switch "on time"
<ul style="list-style-type: none">• Day - Mode jumper	Adaptable to either momentary duty or continuous duty strikes, simply by moving one jumper. No need to change the strike.
<ul style="list-style-type: none">• 10 Amp relays	Oversize relays ensure reliability, and compatibility with older style strikes.
<ul style="list-style-type: none">• Actuation L.E.D's	A Power-On L.E.D., and two Relay L.E.D.'s simplify installation and trouble shooting.
<ul style="list-style-type: none">• Adjustable Fuse position	You can select either dry contacts for the strike, or, 24VAC switched power directly to the strike, thereby simplifying wiring.
<ul style="list-style-type: none">• EP-100 Direct Input	Entrex Model #EP-100 Card reader can now be connected directly into the ESP-12 (Version 2). Extra terminal have been added to the Terminal strip J1.

ESP-12

PRELIMINARY INSTRUCTIONS

1. Remove 4 Phillips screws and carefully pry up lid, observing the cable harness for the L.E.D.. Let the Lid hang below the box so you can view the diagram inside lid.
2. Determine *Day-Mode* setting of the jumper. Your setting depends on the Electric Strike used. If it is a **continuous duty strike**, and is retracted during the day, leave the jumper on both pins.
If your strike is an **intermittent duty strike** and the door latch is to be mechanically dogged back during the day, carefully pull off the jumper with your fingers, or needlenose pliers. Place the jumper back over one of the pins only.
3. We suggest that you leave the fuse in Position One. This gives *Dry Contacts* out to the strike (Term's 3,4, &5). If you prefer to supply 24VAC switched power directly to the strike, remove the single fuse, and along with a second fuse, place into Position Two. This will now send 24VAC from the ESP-12 directly to the strike. It is important that you match the Power Supply to the Esp-12 with the *Load rating* of the electric strike. (i.e. - If the strike draws 1 Amp, use a 2 Amp transformer).
4. Now bring the wiring into the unit through the two supplied squeeze connectors, and connect to the respective terminals. Ensure there are no loose strands of wire touching the board, or other terminals.
Note: The output of the card reader wires directly to Terminals 7&8 of the ESP-12. DO NOT WIRE THE CARD READER TO STRIKE!!!
5. Switch on the power supply to the ESP-12, and observe the Green L.E.D. on the Lid. Now turn the Key switch to *OFF* position. The L.E.D. should extinguish.
6. Turn The Key switch to *Night* mode and test unit for proper operation. The potentiometers may need some slight adjustments. It is advisable to have about 10 to 20 seconds of time on Pot #2. This enables the outside switch to open the door, *after* the card reader is activated. Note that even if the strike has relaxed, pushing the outside button will still unlock and open the door, (if pushed before the time-out setting).
7. Once the pots have been adjusted, turn Key switch to *Day* setting, and observe proper operation of the door. The strike (or latch) should be retracted and either push switch would open the door. The card reader has no effect on operation.

Entrex International Limited

ESP-12 M

Ver. 2

Instruction Manual

Addendum

PURPOSE:

The ESP-12 (M) has been modified, to allow direct connection with our Mdl. #EP-100 Card Reader. This modification is identified as ESP-12 Ver. 2.

CONNECTIONS:

Version 2 units will have a total of 10 terminals on Terminal strip *J1*. Terminals 7 through 10 are dedicated for the Card reader. If Model #EP-100 is used, wire as follows:

<u>EP-100</u>	<u>ESP-12 (m)</u>
Green (Data 0)	#7
Black (Ground)	#8
Red (+5V)	#9
Brown (L.E.D.)	#10

If any other Card reader is used with this unit, Terminals 7 and 8 only are to be used. Connect the Card readers Output (N.O. Dry contacts) to these terminals. Do not connect anything to Terminals 9, and 10 or damage to the ESP-12 will result, voiding the Warranty

Additional Changes

If this unit is installed in a Metal Cabinet (#ESP-12M), a Label bearing the mark "ABM Access 2000" will appear on the outside of the case

References to a "Day-Nite Key switch" are to refer instead to the "On/Off and Day/Nite Mode" Push switches mounted on the Case Lid. These push switches are Lighted for easier identification.

The Cabinet lid may be secured with the Key lock, or ~~the two supplied~~ Tamper resistant screws. (NOT SUPPLIED)

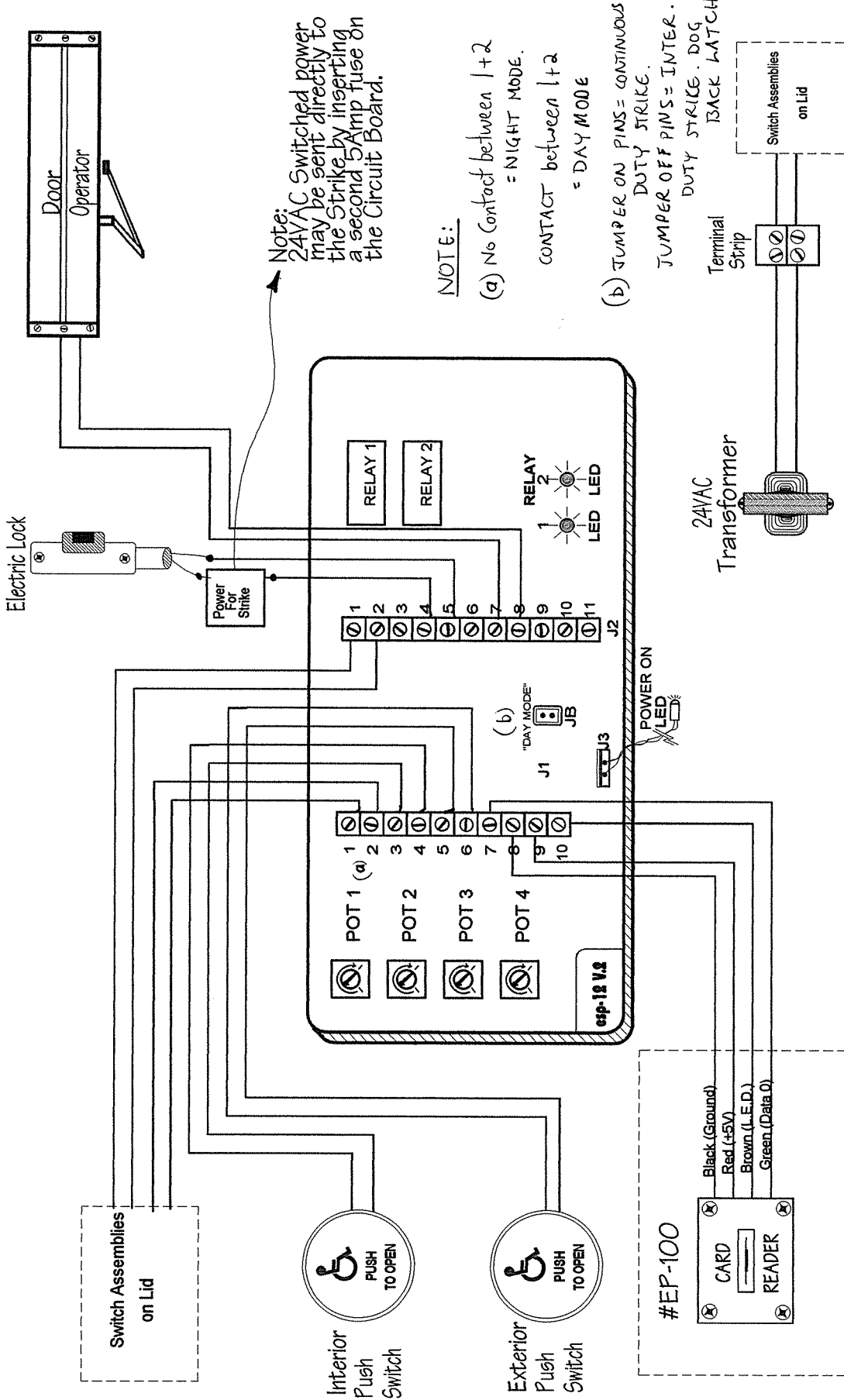
Technical Specifications
for
Mdl # ESP-12M
Version 2
Programmable Timer

Model	ESP-12M
Size	12" x 7 1/2" x 4"
Enclosure	Metal Cabinet with Lock
Mounting	Double sided tape, or screws.
Colour	Black. Others optional
Operating Voltage	24 VAC ±15%
Current Draw	45 mA nominal, 81 mA max.
Response Time	0.04 seconds
Inputs	Up to 4 x N.O. dry Contacts. Now includes terminals for Entrex EP-100 card reader
Outputs	Two standard, (three optional), Form 'C' relay contacts. One has ability to supply 24VAC switched power
Contact Rating	10 Amps @ 277VAC, or 30 VDC
Electrical Life	100,000 operations @ rated capacity
Indicators	Power On L.E.D., and Relay On L.E.D.'s.
Time Delays	Four standard, (five optional).
#1 D.O.R. for Strike.....	-.5 - 12 seconds
#2 D.O.R. Outside Sw....	- 1 - 30 seconds
#3 D.O.R. for Operator...	- 3 - 30 seconds
#4 D.O.O. for Operator...	-.5 - 6 seconds

These specifications are subject to change without notice!

Entrex International Limited

☎* 15 Regan Rd., Unit #14, Brampton, Ontario L7A 1E3
→ (905) 840-3082 Wats 1-800-668-4667



Note:
24VAC Switched power may be sent directly to the Strike by inserting a second 5Amp fuse on the Circuit Board.

NOTE:

- (a) No Contact between 1+2 = NIGHT MODE.
CONTACT between 1+2 = DAY MODE
- (b) JUMPER ON PINS = CONTINUOUS DUTY STRIKE.
JUMPER OFF PINS = INTER. DUTY STRIKE. DOG BACK LATCH

Note:

If other than Entrex EP-100 Cardreader is used, connect it's N.O. Output (Dry Contacts) to Terminals 7 & 8 on ESP-12. Under no circumstances, are any connections to be made to Terminals 9 & 10, except as shown above!

OUR FILE NO.: esp12 V2.skd		TITLE: ABM Access 2000 (ESP-12M)	
DRAWN BY: D. G. WOODWORTH	DATE: 01/09/96	FSCM NO.: NONE	
CHECK BY: D.G.W.		SIZE: NONE	DWG NO.: 960105-01
DESIGN BY: D.G.W.		SCALE: NONE	PART NO.:
CUSTOMER ORDER NO.			SHEET 1 OF 1
CUSTOMER NAME: Version 2.0			

SCHEMATIC DIAGRAM

ESP-12M

Ver. 2.0

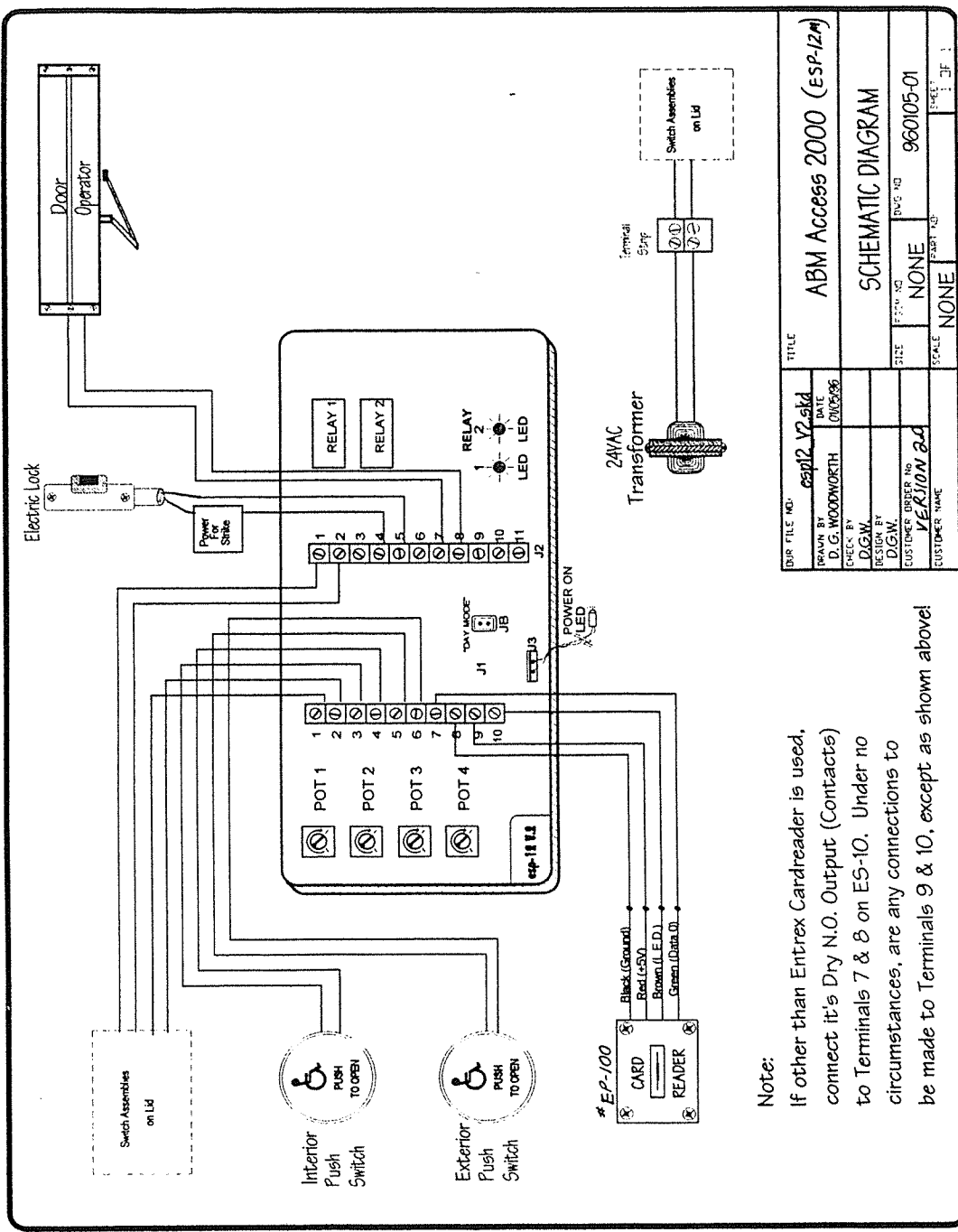
PROGRAMMABLE TIMER

INSTALLATION MANUAL



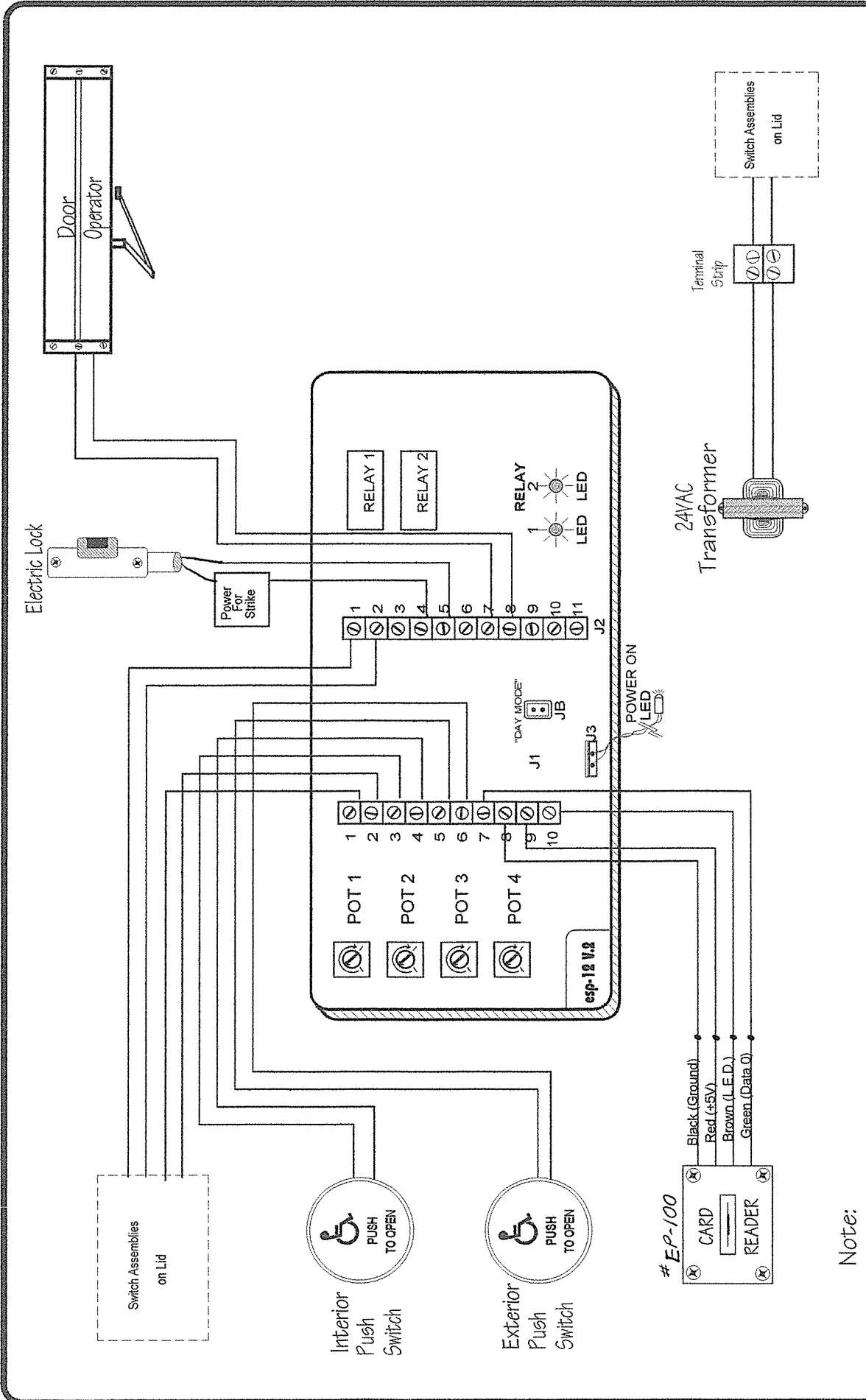
Entrex Door Controls Inc.

#40-DRG00134M



DRAWN BY D.G. WOODWORTH		DATE 08/05/86	
CHECK BY D.G.W.		REVISION BY D.G.W.	
CUSTOMER ORDER NO. VEKJON 224		P.O. NO. NONE	
CUSTOMER NAME		SCALE NONE	
JOB FILE NO. esp12_V2.skd		TITLE ABM Access 2000 (ESP-12A)	
SIZE 960105-01		SHEET NO. 1 OF 1	

Note:
 If other than Entrex Cardreader is used, connect it's Dry N.O. Output (Contact(s) to Terminals 7 & 8 on ES-10. Under no circumstances, are any connections to be made to Terminals 9 & 10, except as shown above!



OUR FILE NO:		TITLE	
esp12_V2.skd		ABM Access 2000 (ESP-12M)	
DRAWN BY		DATE	
D. G. WOODWORTH		01/05/96	
CHECK BY		SIZE	
D.G.W.		NONE	
DESIGN BY		DWG. NO.	
D.G.W.		960105-01	
CUSTOMER ORDER NO.		SCALE	
VERSION 2.0		NONE	
CUSTOMER NAME		PART NO.	
		1 OF 1	

Note:
 If other than Entrex Cardreader is used, connect it's Dry N.O. Output (Contacts) to Terminals 7 & 8 on ES-10. Under no circumstances, are any connections to be made to Terminals 9 & 10, except as shown above!